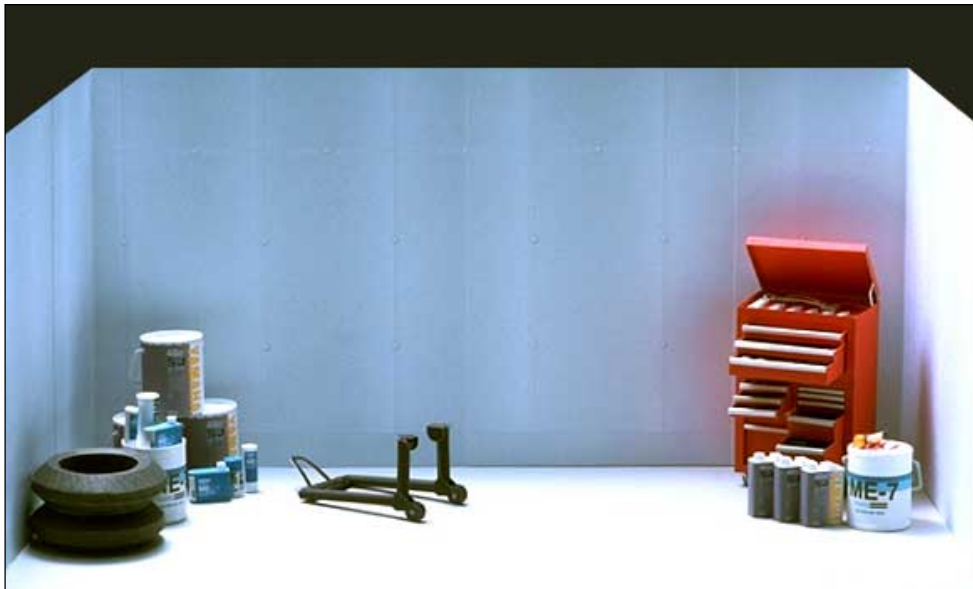




YZF-R1 Accessory Kit

PAPER CRAFT

Assembly Instructions



Thank you for downloading the YZF-R1 realistic paper craft Accessory Kit. To complete assembly of the kit, refer to this manual and the assembly symbols indicated on the pattern sheets.

- Assembly instructions: Ten A4-sized sheets.
- Paper craft: Twelve A4-sized sheets with 136 parts in all

These instructions apply only to the "Accessory Kit".

These Paper Craft parts are easier to work with when printed out on strong, thick paper (like postcard stock).

*In creating these Paper Craft models we use 135kg Kent paper stock (0.18mm).

* The patterns for the miniature realistic paper craft, YZF-R1 are not included in this file. They can be downloaded separately from the corresponding links.

TO BEGIN

■ Tools and materials needed

-Ruler -scissors - blade cutter or "Exacto-knife" - awl or other pointed tool (for making a folding crease) - felt pen - pin set - glue - hand towel (for cleaning your fingers) - dictionary or other heavy book (to press the papers flat).

■ Items of Caution

*Take care when using sharp or pointed objects or when using bladed cutting tools. Place a heavy sheet of paper under the paper you want to cut.

*Use glue and other adhesives only in well-ventilated areas.

*When printing, use a slightly reduced font size. There may be differences in dimensions, depending on the type of printer used.

HOW TO ASSEMBLE

*Follow the working method and markings carefully.

*Cut carefully along the outer line with cutting blade, Exacto-knife or scissors.

One - point Advice

*Cut carefully with cutting blade, Exacto-knife or scissors.

*For folding parts, first use an awl or other pointed tool to make a light crease along the dotted or solid line. This will make the folds straight. Avoid making strong creases, as this will cause the paper to tear.

*As an adhesive, white wood glue is recommended. Avoid over application as this will cause the paper to wrinkle.

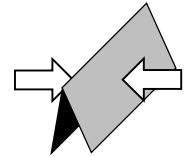
*Before beginning assembly, test adhesive amounts on extra paper.

*Occasionally, white spots will be apparent on folds and cuts. Use a marker or pencil to fill in these spots. It is recommended that this be done after each stage of assembly because coloring becomes more difficult once parts are assembled.

Basic working method and markings

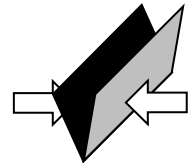
————— Solid lines

Fold along these lines. The printed surface should be on the outside of the folded shape.



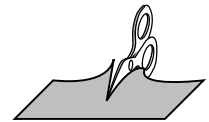
- - - - - Broken lines

Fold along these lines. The printed surface should be on the inside of the folded shape.

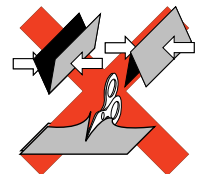


..... Dotted line

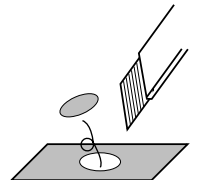
Cut along these lines.



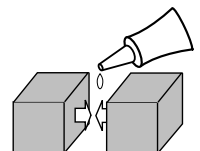
Do not fold or cut the parts marked .



Cut out parts marked with an asterisk(*).



Red dots are the reference positions for gluing surfaces.



1 Assembling the Tool Box

First, assemble each component by following the working method and markings. Then, refer to the illustration and photos below to glue the parts together.

Indication of Working Methods

 Fold or Curve
  Adhere

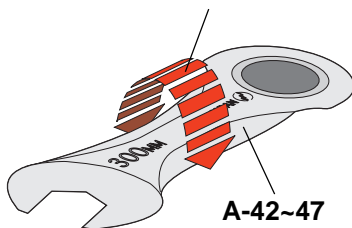
Tools

Sheet A-8, 60 parts in total

Fold each relevant part according to the assembly symbols.

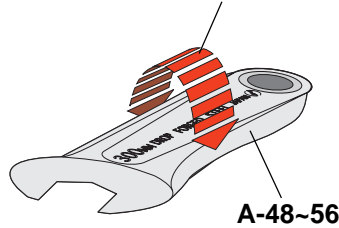
* Freely display the tools in the functional drawers of the tool box.

Tool-a Fold only the edges.



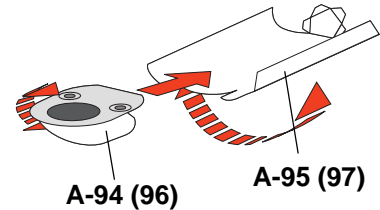
Make six replicas of the part in various sizes.

Tool-b Fold only the edges.



Make nine replicas of the part in various sizes.

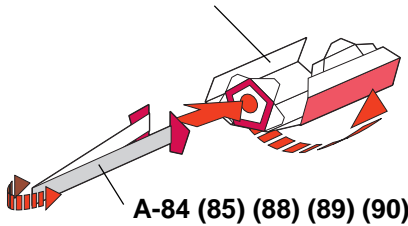
Tool-c



Make two different-sized replicas of each part.

Tool-d

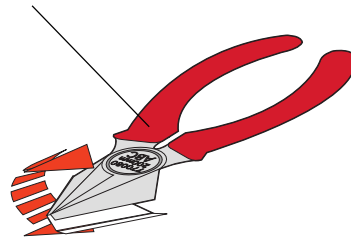
A-86 (87) (91) (92) (93)



Make five different-sized replicas of each part.

Tool-e

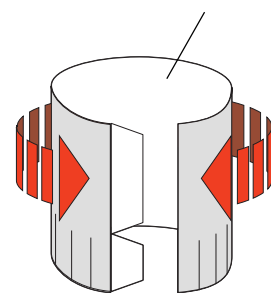
A-57 (58) (59)



Make three replicas of the part.

Tool-i

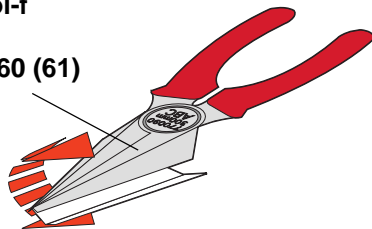
A-68~83



Make sixteen replicas of the part in various sizes.

Tool-f

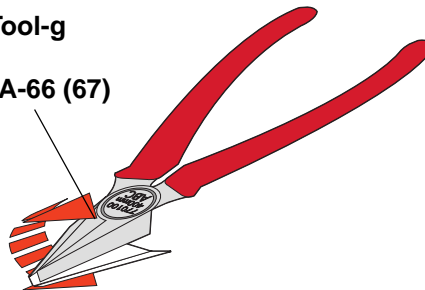
A-60 (61)



Make two replicas of the part.

Tool-g

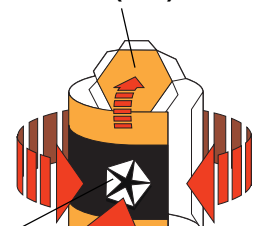
A-66 (67)



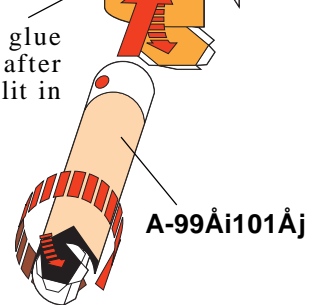
Make two replicas of the part.

Tool-k

A-98 (100)



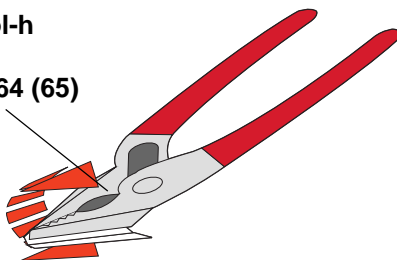
Insert and glue part A-99 after making a slit in part A-98.



Make two replicas of the part in various sizes.

Tool-h

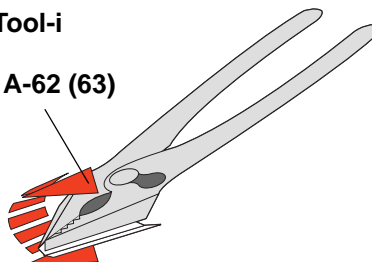
A-64 (65)



Make two replicas of the part.

Tool-i

A-62 (63)



Make two replicas of the part.

1 Assembling the Tool Box

First, assemble each component by following the working method and markings. Then, refer to the illustration and photos below to glue the parts together.

Indication of Working Methods

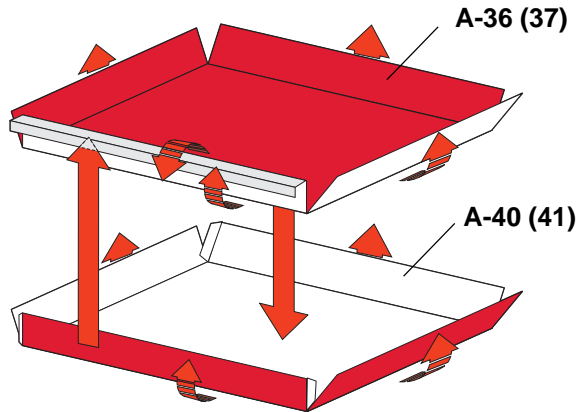
 Fold or Curve
  Adhere

Drawers

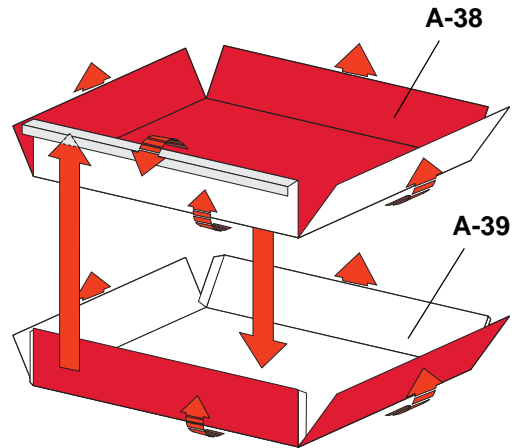
Sheet A-5.6.7, 23 parts in total

Fold each relevant part according to the assembly symbols.

Drawer- a. b Make two replicas of each part.

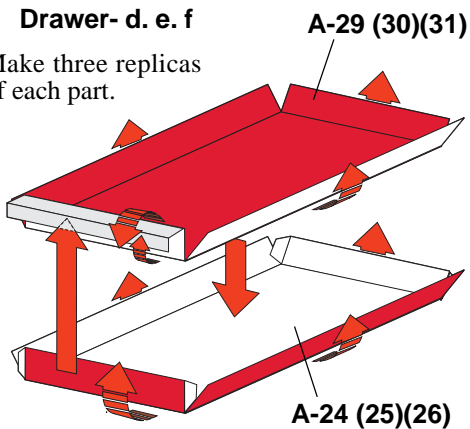


Drawer- c

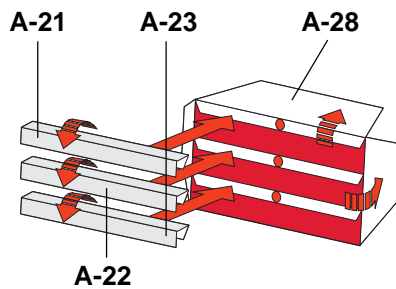


Drawer- d. e. f

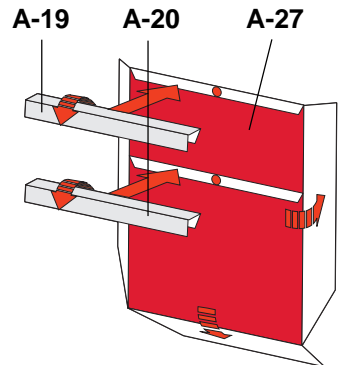
Make three replicas of each part.



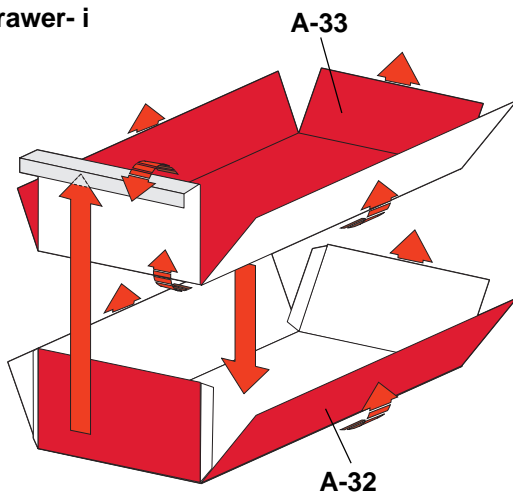
Drawer- g(dummy)



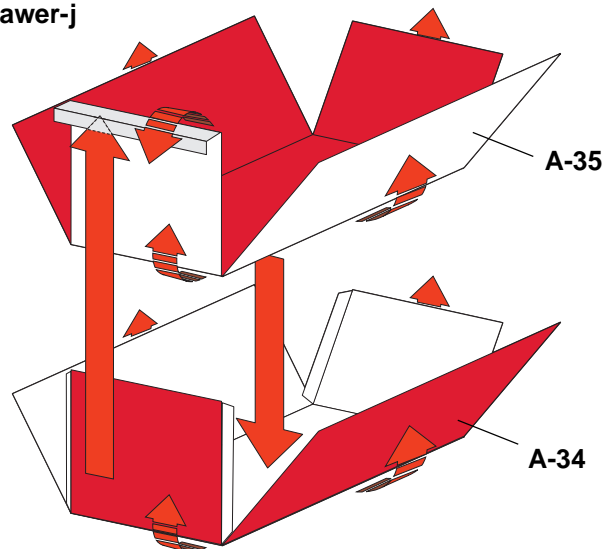
Drawer- h(dummy)



Drawer- i



Drawer- j



1 Assembling the Tool Box

First, assemble each component by following the working method and markings. Then, refer to the illustration and photos below to glue the parts together.

Indication of Working Methods

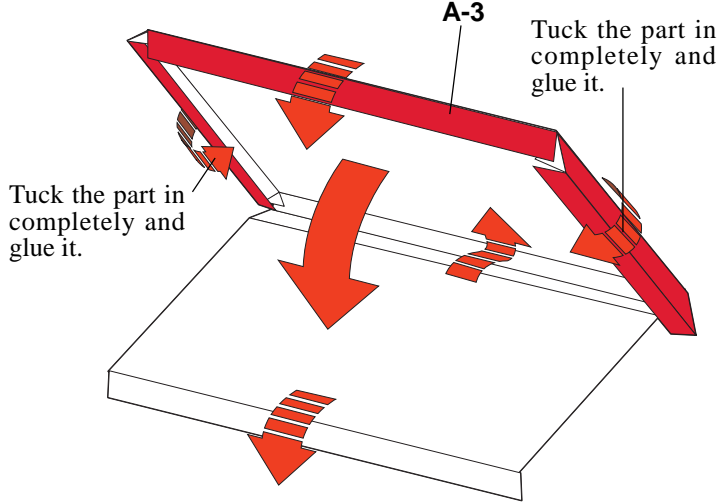
 Fold or Curve
  Adhere

Body of Tool Box

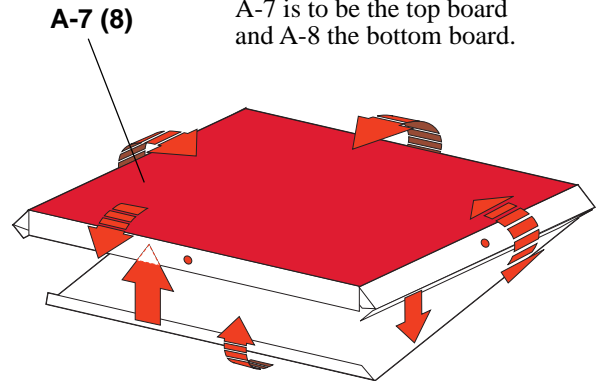
Sheet A-2.3.4.5, 15 parts in total

Fold each relevant part according to the assembly symbols.

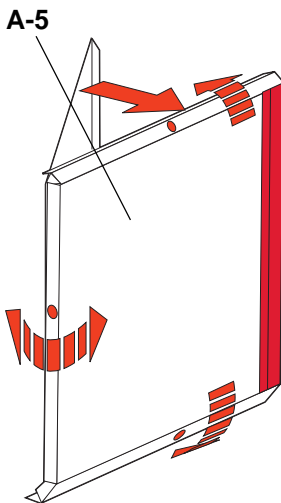
Lid



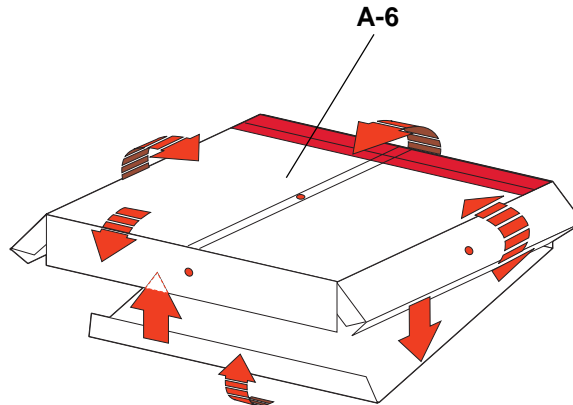
Inner walls- top board and bottom board



Inner walls- central part- vertical

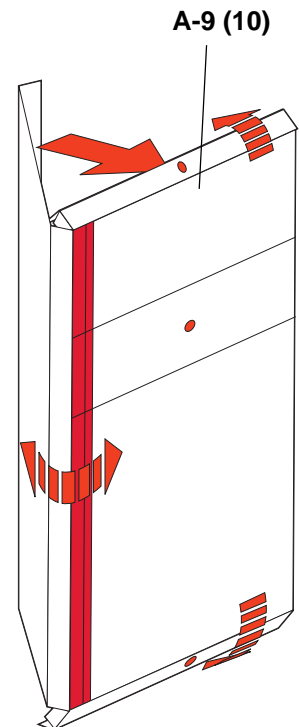


Inner walls- central part- horizontal

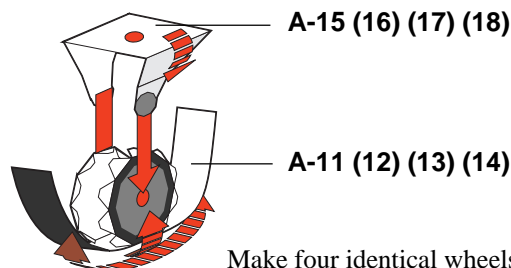


Inner walls- left and right

Looking at the diagram, A-9 should be on the left and A-10 on the right.



Wheels



1 Assembling the Tool Box

First, assemble each component by following the working method and markings. Then, refer to the illustration and photos below to glue the parts together.

Indication of Working Methods



Fold or Curve



Adhere

Finish

Fold each relevant part according to the assembly symbols.

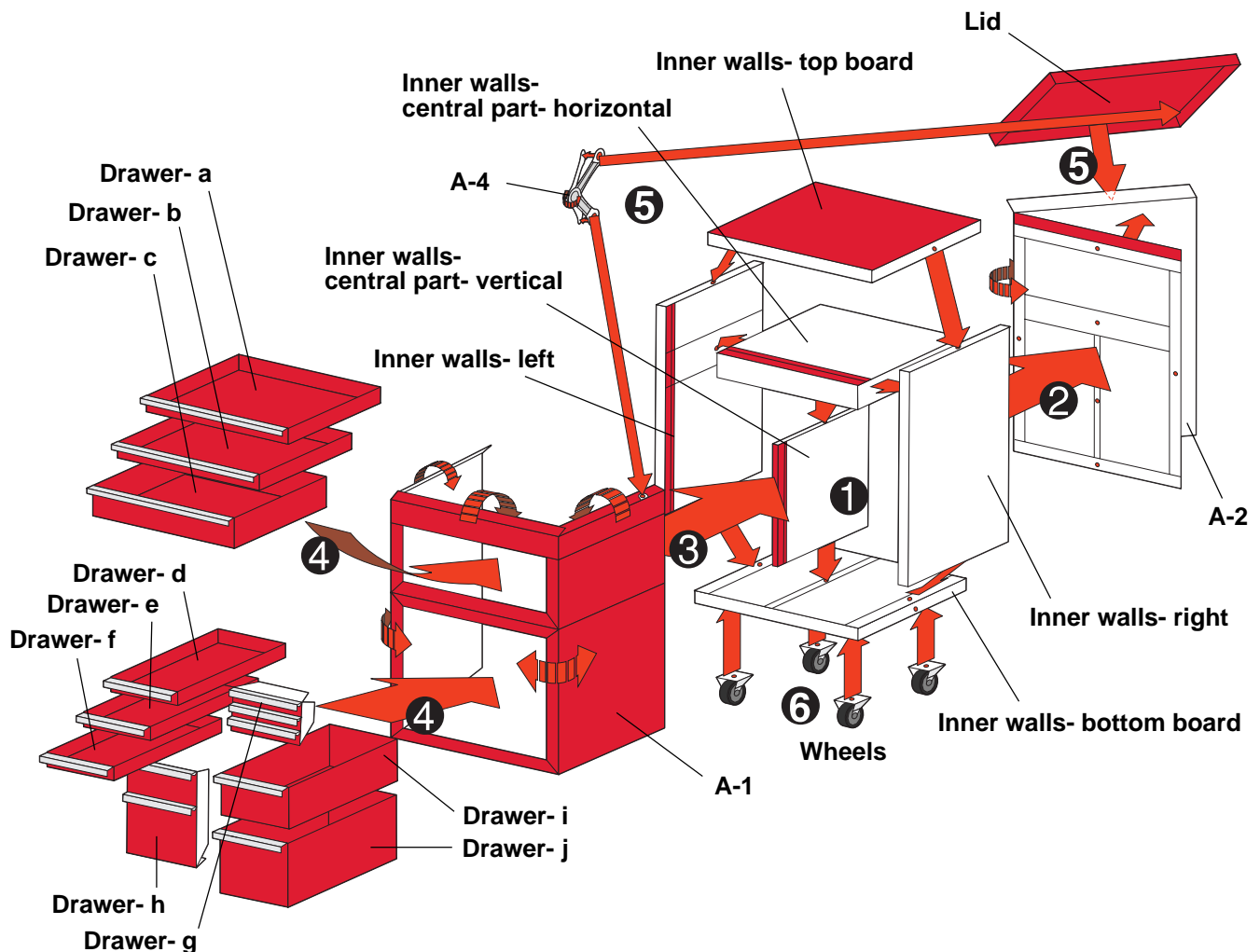
Please use the ● dots on each component as reference when gluing surfaces.

Assemble according to steps ❶ through ❹ .

Assembly Instructions

- ❶ Glue six previously assembled boards of the inner walls.
 - ❷ Glue the inner walls to A-2.
 - ❸ Glue folded A-1 to ❷ .
 - ❹ Insert and glue the previously assembled drawers in place.
- Note: Freely place tools in the functional drawers.
- ❺ Carefully keep the lid open when gluing it to A-2. Also glue A-4 between the lid and A-1.
 - ❻ Glue each wheel to the bottom board.

Reference photo



2 Assembling the Engine Oil

First, assemble each component by following the working method and markings. Then, refer to the illustration and photos below to glue the parts together.

Indication of Working Methods



Fold or Curve



Adhere

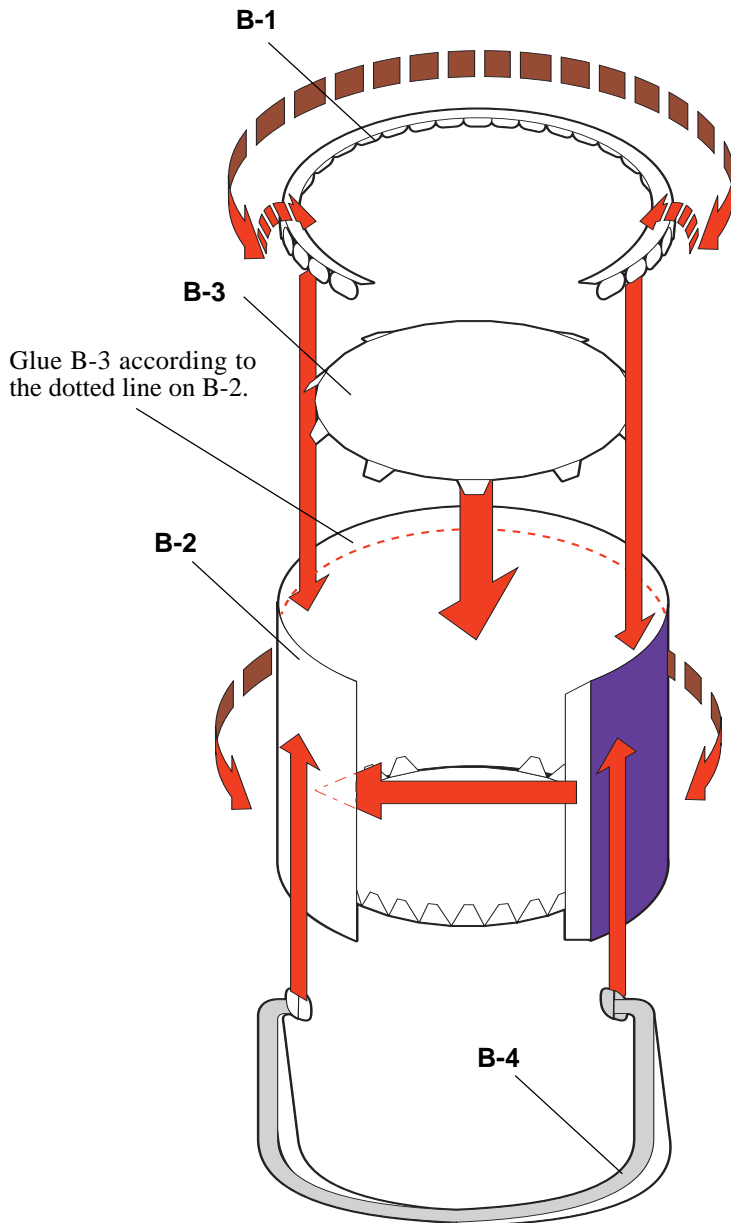
Engine Oil

Sheet B, 7 parts in total

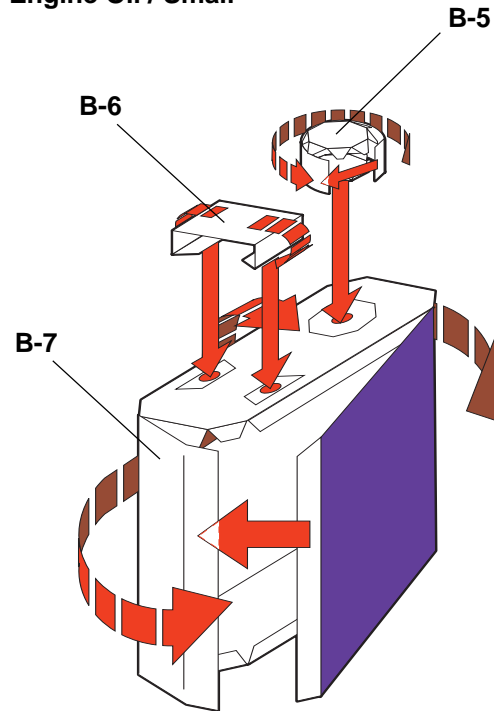
Fold each relevant part according to the assembly symbols.

Please use the ● dots on each component as reference when gluing surfaces.

Engine Oil / Large



Engine Oil / Small



Reference photo



3 Assembling the Maintenance Chemicals

First, assemble each component by following the working method and markings. Then, refer to the illustration and photos below to glue the parts together.

Indication of Working Methods



Fold or Curve



Adhere

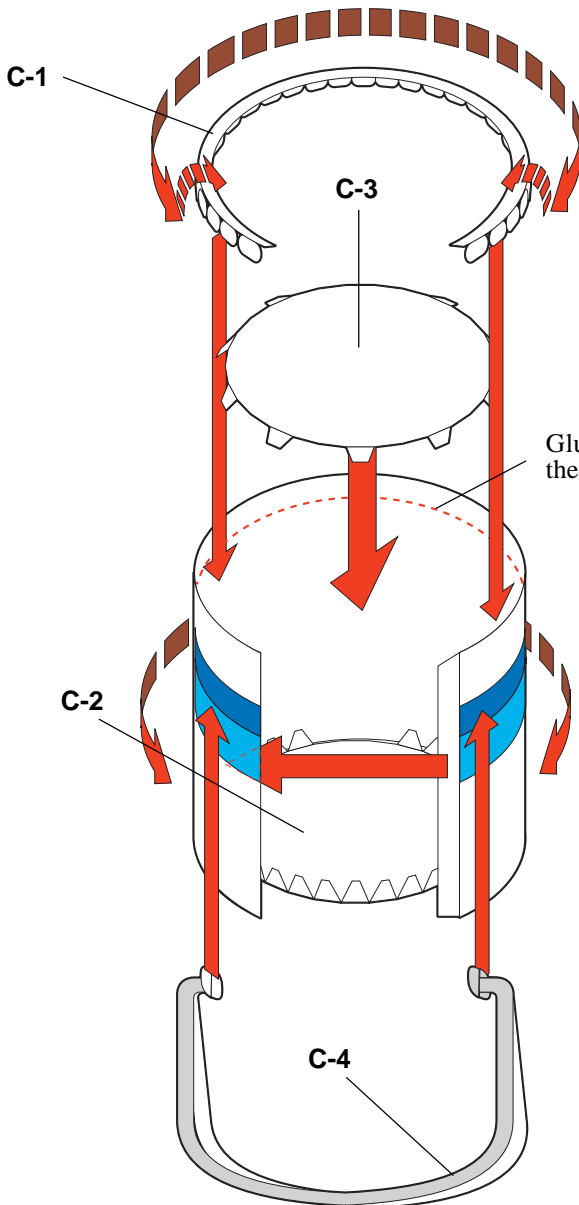
Maintenance Chemicals

Sheet C, 8 parts in total

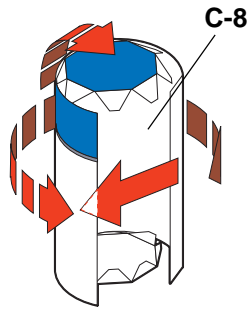
Fold each relevant part according to the assembly symbols.

Please use the ● dots on each component as reference when gluing surfaces.

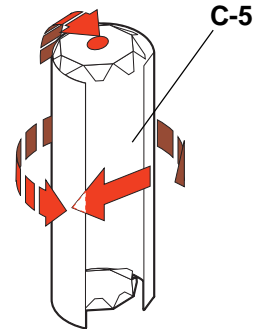
Long Life Coolant



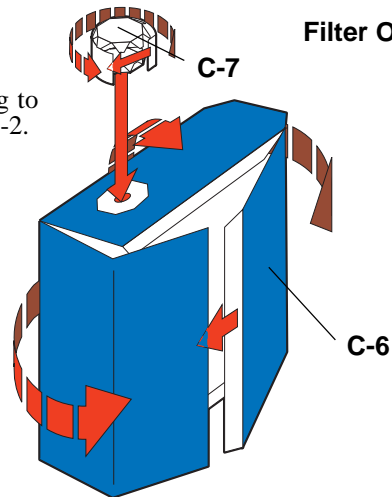
Grease Spray



Filter Oil / Small



Filter Oil / Large



Reference photo



4 Assembling the Stand

First, assemble each component by following the working method and markings. Then, refer to the illustration and photos below to glue the parts together.

Indication of Working Methods

 Fold or Curve  Adhere

Stand

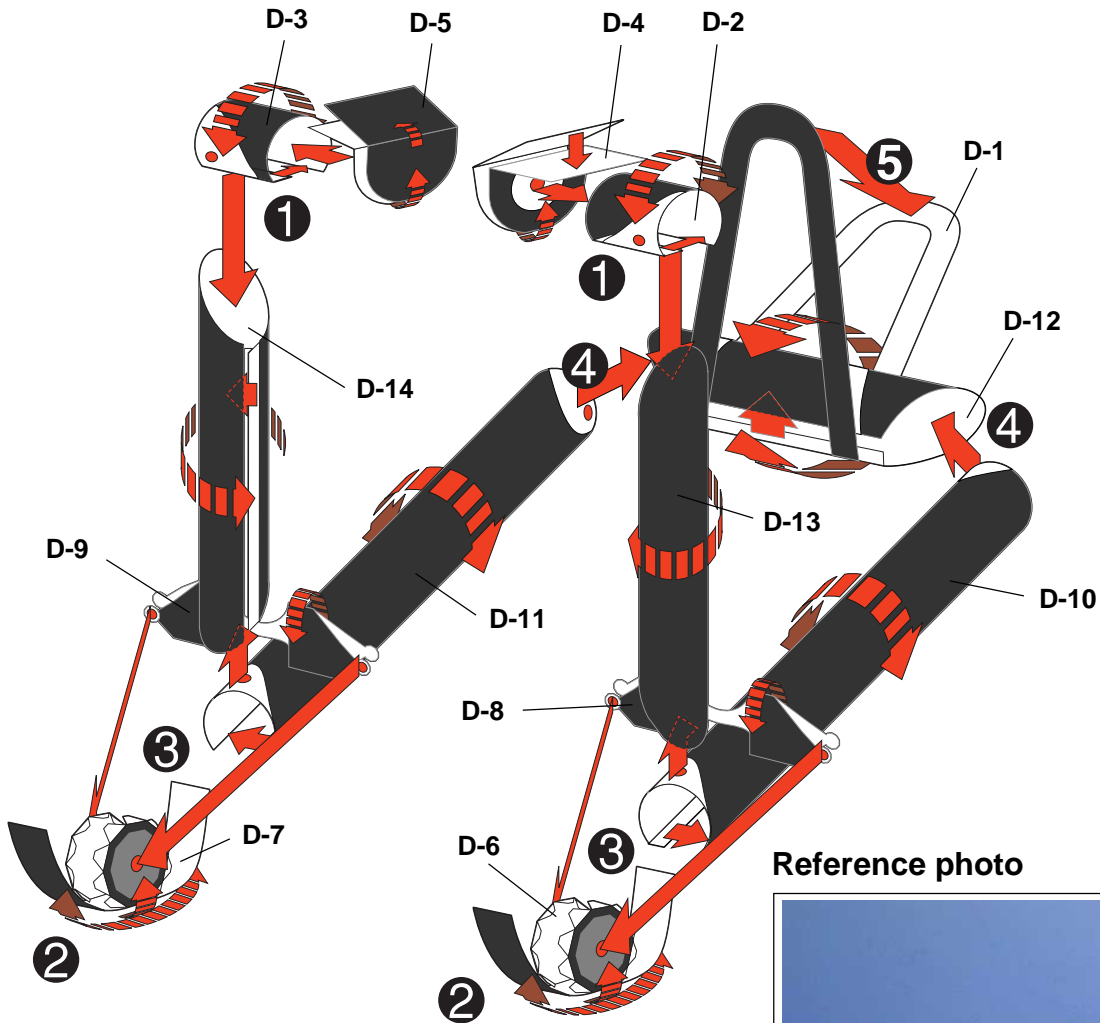
Sheet D, 14 parts in total

Fold each relevant part according to the assembly symbols.

Please use the ● dots on each component as reference when gluing surfaces.

Assembly Instructions

- 1 Assemble and glue in place D-2, D-3, D-4, D-5, D-10, D-11, D-13, and D-14.
- 2 Assemble the wheel parts, D-6 and D-7.
- 3 Glue 1, 2, D-8, and D-9 according to the diagram.
- 4 Glue 3 to D-12.
- 5 Glue D-1 to 4 according to the diagram.



Reference photo



5 Assembling the Rear Tire

First, assemble each component by following the working method and markings. Then, refer to the illustration and photos below to glue the parts together.

Indication of Working Methods



Fold or Curve



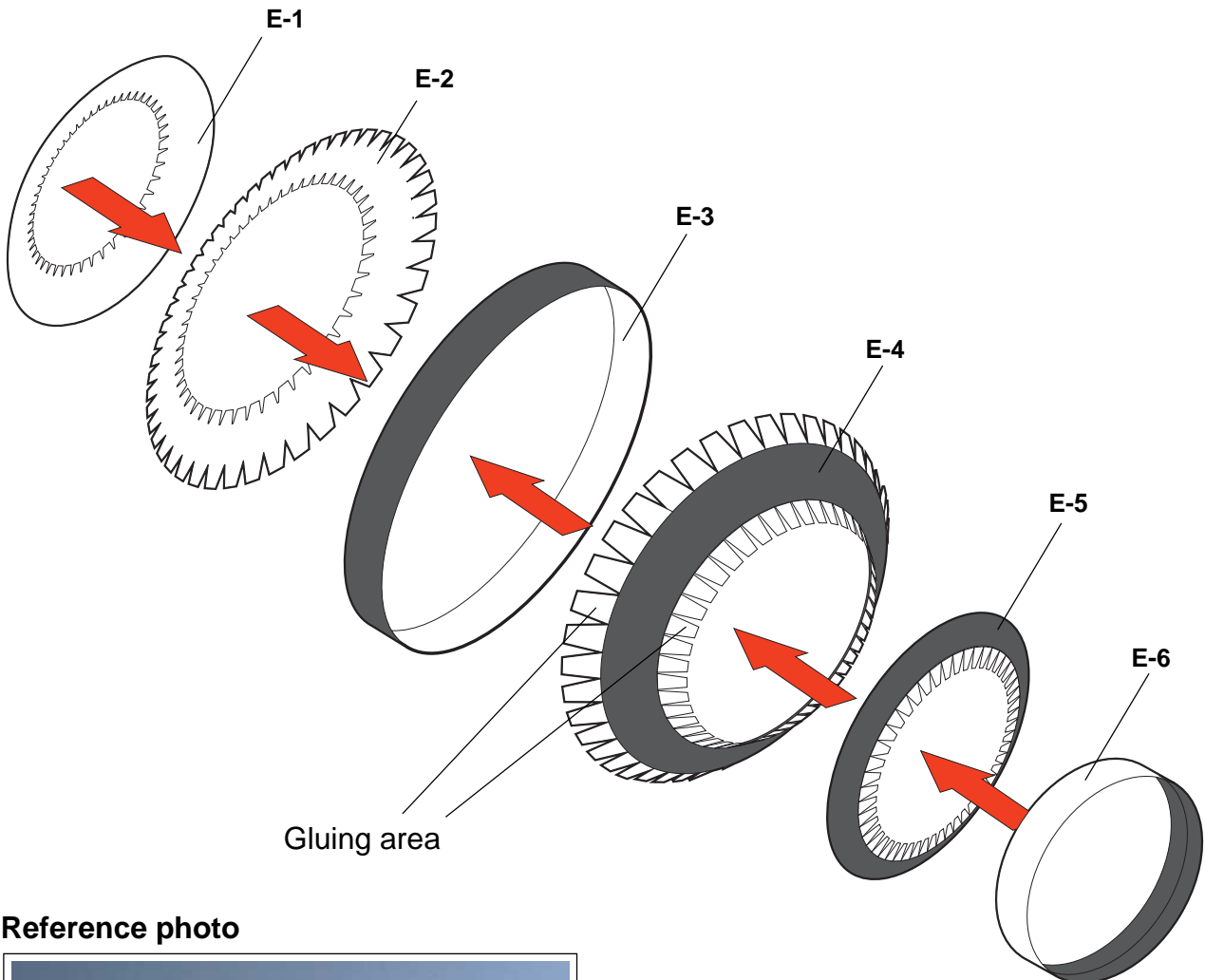
Adhere

REAR TIRE

Sheet E, 6 parts in total

Fold each relevant part according to the assembly symbols.

Please use the ● dots on each component as reference when gluing surfaces.



Reference photo

